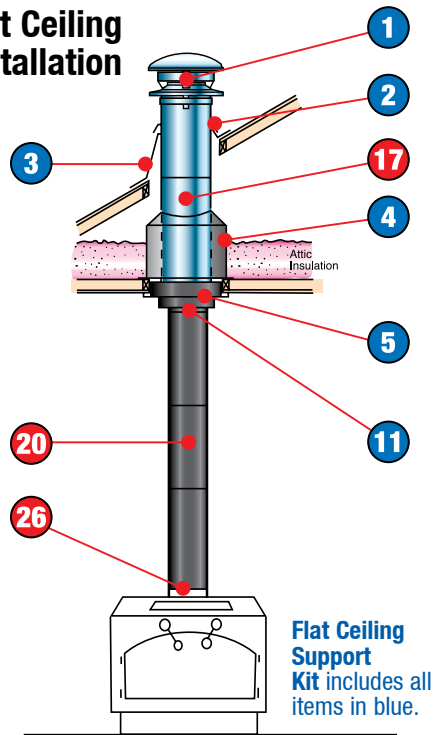




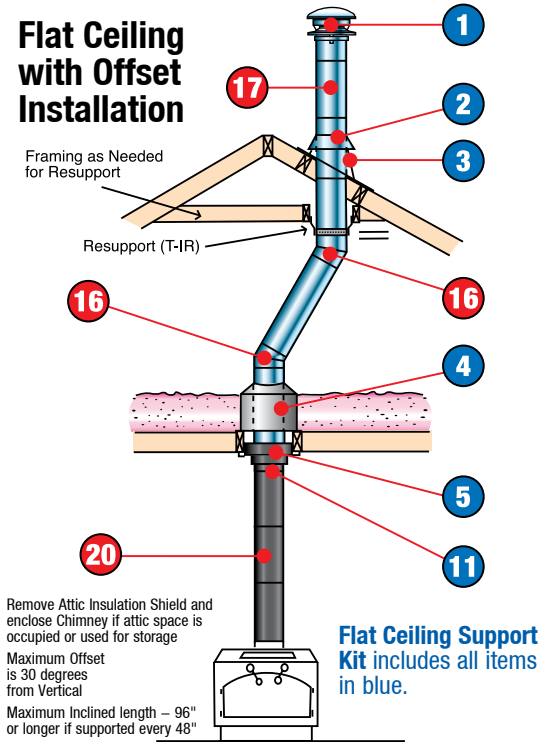
(Installations may vary. Please refer to the installation instructions @ www.selkirkcorp.com)

Step 1 Select type of installation by determining where your chimney will run.

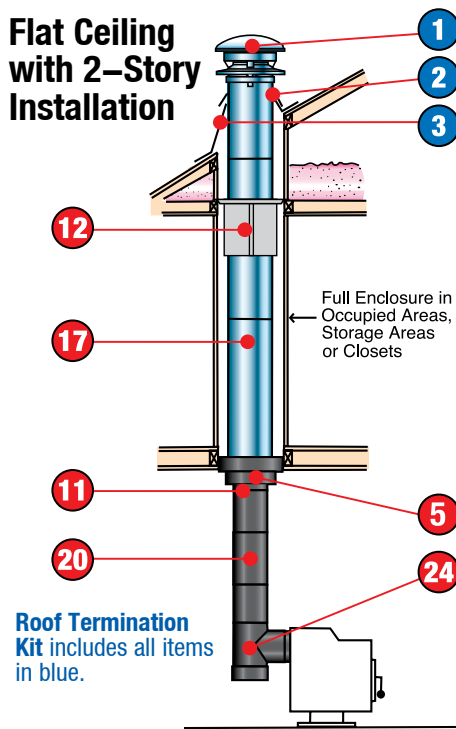
Flat Ceiling Installation



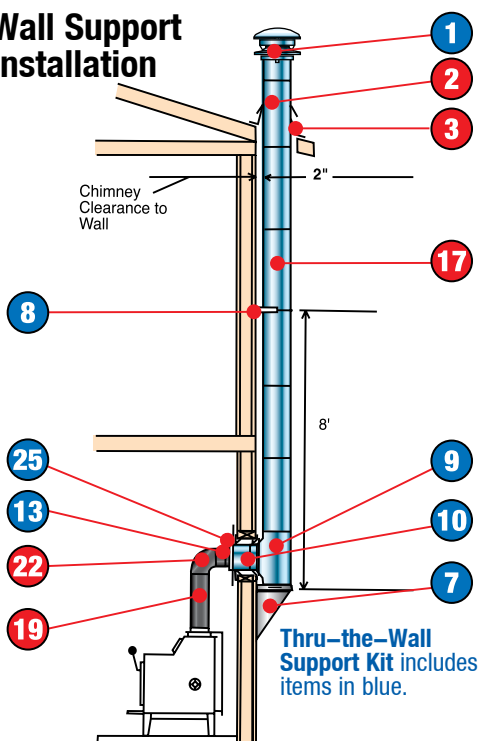
Flat Ceiling with Offset Installation



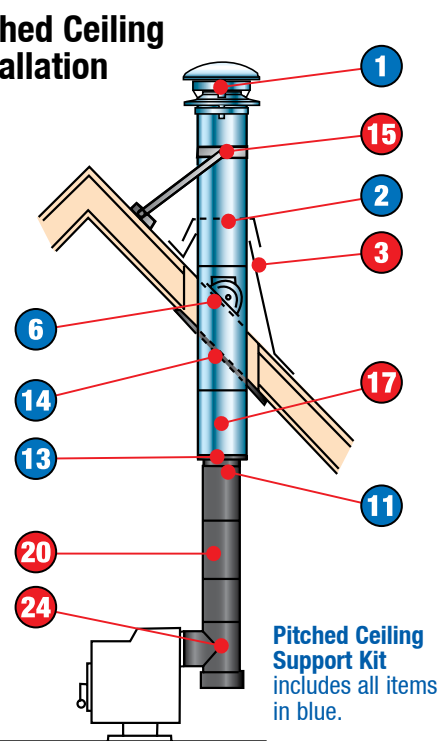
Flat Ceiling with 2-Story Installation



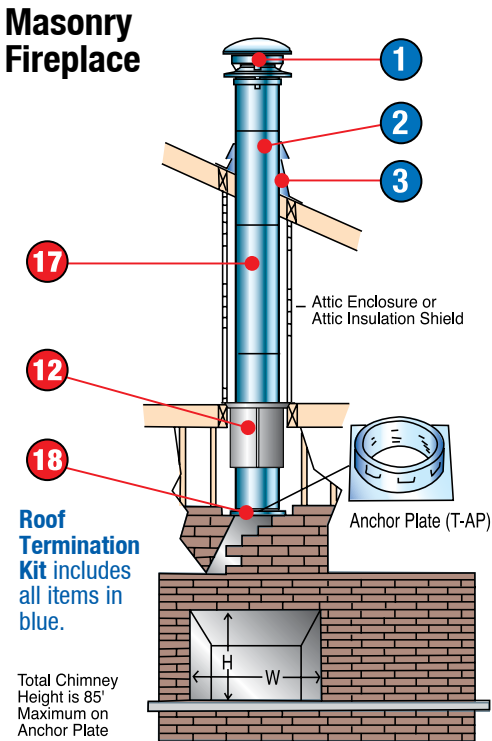
Wall Support Installation



Pitched Ceiling Installation



Masonry Fireplace



Installation Planning Worksheet

SCS CHIMNEY	PRICE	QTY	TOTAL
Chimney Kits			
Roof Termination Kit (T-RTK) includes; 1, 2, 3 (T-AF6)	\$	X	=
Flat Ceiling Kit (T-FCK) includes; 1, 2, 3 (T-AF6), 4, 5, 11	\$	X	=
Pitched Ceiling Kit (T-PCK) includes; 1, 2, 6, 11, 13, 14	\$	X	=
Thru-the-Wall Kit (T-TWK) includes; 1, 7, 8, 9, 10, 13, 17 (T-12), 25	\$	X	=
1 Round Top (T-CT)	\$	X	=
2 Storm Collar (T-SC)	\$	X	=
3 Roof Flashing (See Step 4)			
Adjustable 2/12 to 6/12 (T-AF6)	\$	X	=
Adjustable 6/12 to 12/12 (T-AF12)	\$	X	=
Not Illustrated Universal Rubber Boot Flashing Kit (T-URBAK)	\$	X	=
4 Attic Insulation Shield (T-AIS)	\$	X	=
5 Finish Ceiling Support (T-FSP)	\$	X	=
6 Roof Support Package (T-RSP) includes an 18" length of pipe	\$	X	=
7 Wall Support Kit (T-WSK)	\$	X	=
8 Wall Band (T-WB)	\$	X	=
9 Insulated Tee and Plug (T-IT)	\$	X	=
10 Insulated Wall Thimble (T-IWT)	\$	X	=
11 Stove Pipe Adapter (T-DSAC) for use with single-wall stove pipe, for DSP use 25 (DSP-CPA)	\$	X	=
12 Joist Shield (T-JS)	\$	X	=
13 Finishing Collar (T-FC)	\$	X	=
14 Adjustable Pitched Ceiling Plate (T-PCPAJ)	\$	X	=
15 If Chimney extends more than 5' above roof line			
Roof Brace Kit (T-RBK)	\$	X	=
16 If an Offset is required use an Elbow Kit. (See Step 5)			
15° Elbow Kit - kits contain 2 elbows, 2 lockbands, and 1 Interior Resupport (T-15EL Kit)	\$	X	=
30° Elbow Kit - kits contain 2 elbows, 2 lockbands, and 1 Interior Resupport (T-30EL Kit)	\$	X	=
17 Chimney Lengths (See Step 3)			
12" Length (T12)	\$	X	=
18" Length (T18)	\$	X	=
24" Length (T24)	\$	X	=
36" Length (T36)	\$	X	=
48" Length (T48)	\$	X	=
18 Anchor Plate (T-AP)	\$	X	=
Not Illustrated Universal Shielding Insulation (SUSI) for use with 4, 6 or 10			
MODEL DSP DOUBLE WALL STOVE PIPE			
19 Vertical Installation Kit (DSP-VK)			
Includes CPA, Telescoping Length (Adjustable from 38" - 68"), Finishing Band	\$	X	=
20 Smoke Pipe Lengths			
36" Length (DSP-P36)	\$	X	=
24" Length (DSP-P24)	\$	X	=
12" Length (DSP-P12)	\$	X	=
6" Length (DSP-P6)	\$	X	=
21 12" Adjustable Length (DSP-AL) adjusts from 12" - 18"	\$	X	=
22 90 Elbow (DSP-E9)	\$	X	=
23 45 Elbow (DSP-E4)	\$	X	=
24 Tee with Cap (DSP-TE)	\$	X	=
25 Chimney Pipe Adapter (DSP-CPA)	\$	X	=
26 Stove Adapter (DSP-SA)	\$	X	=
Not Illustrated 7" to 8" Outlet Adapter (DSP178)	\$	X	=

TOTAL \$